

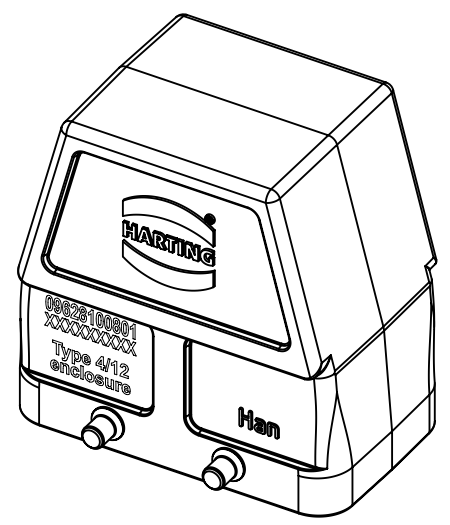
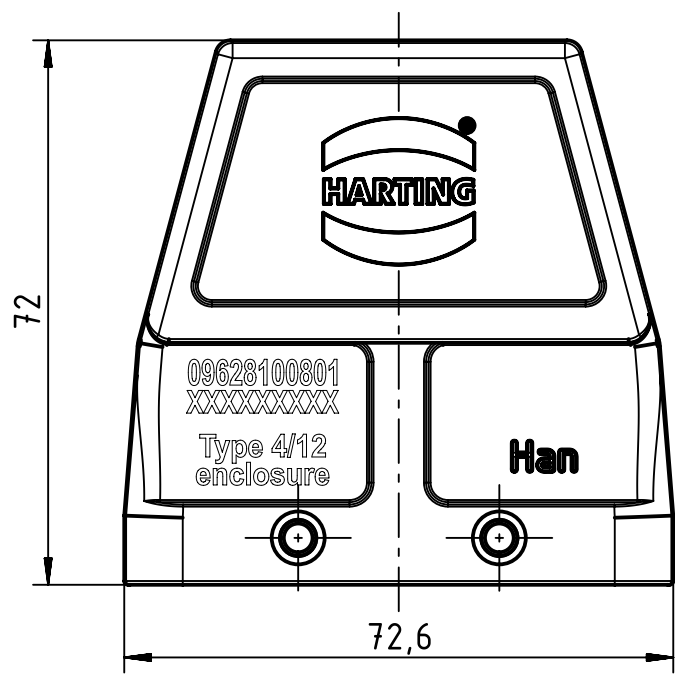
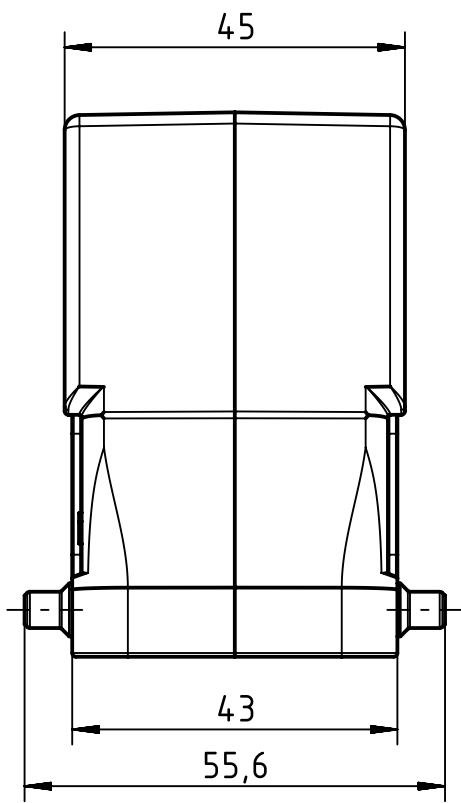
1 2 3 4 5 6

A

B

C

D



	All Dimensions in mm Original Size DIN A4		Scale 1:1	Free size tol.		Ref. Sub. TB 09 62 810 0801 v. 01.02.00	
		All rights reserved	Created by SPRENB	Inspected by GERB	Standardisation RUETERA	Date 2020-02-28	State Final Release
Department EL PD		Title Han 10EMC/B Hood-reel-without entry				Doc-Key / ECM-Nr. 100227573/UGD/002/D 500000163147	
HARTING Electric GmbH & Co. KG D-32339 Espelkamp		Type TB	Number 09 62 810 0801			Rev. D	Page 1/1